



TRANSIT ELEVATORS PVT. LTD.

INSTALLATION AND SERVICES

TRANSIT ELEVATORS - YOUR RELIABLE PARTNER

INSTALLATION AND SERVICES

INTRODUCTION

Transit Elevators (Authorised Partner of MAS Industries Pvt. Ltd.) was established in 2019 as an elevator material supplier. Within a short span of time, we have become a pioneer in the elevator industry. Today, we proudly provide service and installation across Telangana and Andhra Pradesh.

We hold our excellence in Elevator Electronics and Control Panel integration, becoming a leader in elevator system execution thanks to our technical expertise and well-experienced management team. Our commitment to quality and innovation defines our strength, expertise, and customer-focused service.

We are focused on developing innovative and user-friendly solutions by integrating compact, power-optimized, and technically advanced elevator electronics. Our advanced hardware uses power-efficient technology and a simple yet powerful algorithm, making our installations reliable and sustainable, even in highly complex environments.

Our primary objective is to deliver and install systems that meet all elevator safety regulations and standards. We continuously adapt to new market dynamics and reflect those changes in our updated

installations. All our solutions follow global specifications for quality, safety, and installation excellence.

Our Strengths

- 200+ Successful Installations
- Presence across Telangana & Andhra Pradesh
- Experienced Installation & Service Teams
- AMC and Emergency Support
- Quick Delivery & Commissioning
- Custom Cabin Designs and Controller

Our Offerings

We supply, install, and service a wide range of elevators powered by MAS Industries' advanced components:

COP & LOP Designs

- TITAN, GALAXY, NEO, ORCA, VEYRON, VISION, AURA, REVA, INNOVA, NEXA, ROYAL, AQUA

Buttons & Touch Panels

- SQUARE, ROUND, OVAL, SLIM, DESIGNER, TOUCH (Capacitive, Feather-touch, Braille-enabled)

Access Control Systems

- RFID, Keypad, Biometric Access

TFT & LED Displays

- 4.3", 5.6", 7" TFT with Floor Indicators & Multimedia

Controllers & Drives

- MAS NOVA, FUJI, YASKAWA, MONARCH, HPMONT
- Hydraulic, VVVF, 2-Speed Systems
- ARD & UPS systems for emergency power backup

- SMPS, Terminal Blocks, Transformers, Travelling Cables, Cabinet & PVC Trunking

Control Panel Accessories

Why Choose Transit Elevators?

- Backed by MAS Industries' 20+ years of manufacturing excellence
- Reliable emergency support & responsive customer care
- Customized cabin aesthetics as per client requirement
- Best-in-class energy-efficient drives & intelligent

“SO STRONG, SO LIGHT,
SO PREMIUM”



TITAN

“GOOD THINGS REALLY
DO COME IN TWOS”



GALAXY



“TIMELESS ELEGANCE
IN EVERY TOUCH”



NEO

“THE ORIGINAL
BLACK BEAUTY”



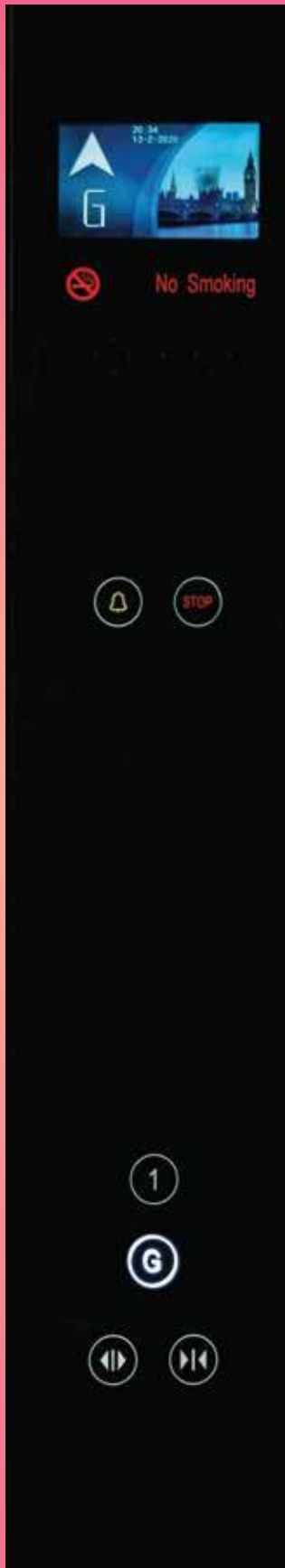
ORCA



“NEXT-GEN DESIGN
FUTURE-READY PERFORMANCE”



VEYRON



“YOUR SEARCH FOR PREMIUM
AND LUXURY ENDS HERE”



VISION



“BUILT FOR STRENGTH,
STYLED FOR ELEGANCE”



AURA



“AMAZING BEAUTY
CRAFTED WITH METAL”



REVA



“BUILT WITH INNOVATIONS
THAT STAND OUT”



INNOVA



“EXPERIENCE A NEW WORLD OF
SURFACE MOUNT TECHNOLOGY”



NEXA



“ICONIC PIECES THAT
LOOK ELEGANT FOREVER”



ROYAL

“BUILT TO LAST,
DESIGNED TO IMPRESS”



AQUA

EPAD



“SMART, INTELLIGENT AND LOADED
WITH ADVANCED TECHNOLOGY”

BUTTON SECTION

SQUARE



- Shape: Square
- Operating Voltage: 12 / 24 VDC
- Colour: Red
- Available with braille.

ROUND



- Shape: Round
- Operating Voltage: 12 / 24 VDC
- Colour: Blue
- Available with braille.

OVAL



- Shape: Oval
- Operating Voltage: 24 VDC
- Colour: Blue / Red
- Available with braille.

ROUND SLIM



- Shape: Round slim
- Operating Voltage: 24 VDC
- Colour: Red
- Available with braille.

SQUARE SLIM



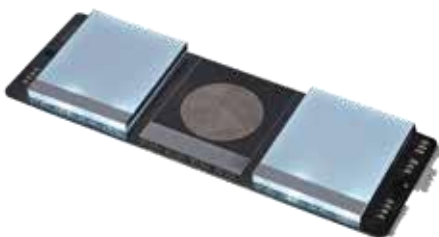
- Shape: Square slim
- Operating Voltage: 24 VDC
- Colour: Amber
- Available with braille.

DESIGNER



- Shape: Custom Design
- Operating Voltage: 12 / 24 VDC
- Colour: Red
- Available with braille.

TOUCH



- Capacitive sensing.
- Operating Voltage: 24 VDC
- Dual colour buttons (white/red)
- Feather touch, robust



- Touch button available in parallel communication mode
- Easy wiring same as mechanical push button
- Sound or Vibration Indication



- Easy configuration with all types of control panel
- Auto tuning at power on upto 8 mm with glass and acrylic

ELECTRONIC SECTION

ACCESS CONTROL SYSTEM

MAS BIOMETRIC



- Operation voltage: 24V DC.
- Sensor module: Biometric scanner.
- Storage capacity : 310 fingers.
- Audio and Visual Indication.
- Access upto 8 floor.

MAS KEYPAD



- Operation voltage: 24V DC.
- Sensor module: 4x3 Keyboard.
- Storage capacity : 310 pins .
- 4 digit pin, user changable.
- Audio and Visual Indication.
- Access upto 8 floor.

MAS RFID



- Operation voltage: 24V DC.
- Sensor module: RFID.
- Storage capacity : 310 RFID cards .
- Audio and Visual Indication.
- Access upto 8 floor.

TFT DISPLAY

4.3 INCH



- Supply voltage: 24V DC
- Input type: Sinking
- Mode of operation: Binary, Gray and 7 Segment
- Programmable background image, arrow and digits

5.6 INCH



- Supply voltage: 24V DC, Input
- Input type: Sinking/Sourcing
- Mode of operation: Binary, Gray, and 7 Segment
- Floor level image configuration and customization, multiple background images

7 INCH



- Supply voltage: 24V DC
- Input type: Sinking
- Mode of operation: Binary, Gray and 7 Segment
- Programmable background images, arrow and digits

DISPLAY SECTION

7 SEGMENT

- Operation voltage: 24V DC / 12V DC
- Floor range from -3 to 19th Floor
- Floor IP: Sinking; Arrow IP: Sinking
- Available for LOP and COP, with or without glower.



DIAMOND CASCADED

- Operation voltage: 24V DC / 12V DC
- Floor range from -3 to 19th
- Floor IP: Sinking; Arrow IP: Sourcing/Sinking
- Available for LOP and COP, with or without glower.



DOT MATRIX

- Operation voltage: 24V DC / 12V DC,
- Input Type : Sinking/Sourcing
- Floor Inputs: Binary, Binary 1, Gray and 7segment.
- Available for LOP and COP, with or without glower.



STAR CASCADED

- Operation voltage: 24V DC / 12V DC
- Floor range from -3 to 19th
- Floor IP: Sinking; Arrow IP: Sinking
- Available for LOP and COP, with or without glower.



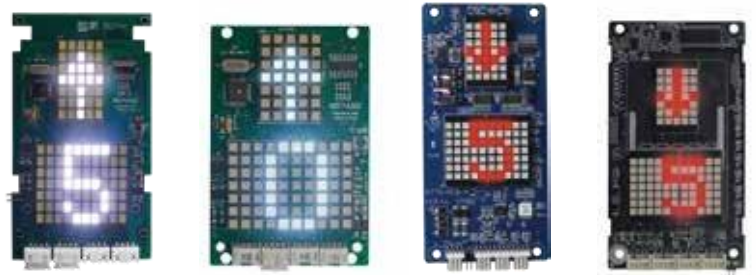
GALAXY CASCADED

- Operation voltage: 24V DC / 12V DC
- Floor range from -3 to 99th
- Floor IP: Sinking; Arrow IP: Sinking
- Available for LOP and COP, with or without glower.



SERIAL DISPLAY

- Operate on 24VDC @ <200mA consumption
- Available in 3 colours.
- Supports 2 wire CAN/ MOD Bus protocol
- Available in compact 9mm slim display
- Equipped with full & down collective calling
- Supports Pluggable harness interface



ARKEK

ARKEK (MINI)

HPMONT

MONARCH

ANNUNCIATORS

MLA



- Support SD card
- Sound customization possible
- Operation Type: 24V DC / 12V DC
- Input Type : Sinking/Sourcing
- Input mode: Binary, Gray and 7 segment
- Can be programme with coustamize with special message

MGG



- Operation voltage: 24V DC / 12V DC,
- Input Type : POI, Edge/Level trigger
- Available in TingTong, Arabic supplication for travel & DO announcement (ENGLISH/HINDI/MARATHI/TELUGU and in combination)

INTERCOM - B



- Normal and emergency Operation
- Supply : 12V DC
- Two-Wire communication protocol
- Three way communication between supervise room, machine room and car

SIRENS

MQR - 117



- Piezo Siren MQR-117
- Operating Voltage: 20-25VDC, typical 24VDC
- Current: 80mA @ 24VDC
- Sound Level : 110dB at 1m in 24VDC
- Mount type : Adjustable surface mount

MCR - 115



- Micro siren MCR-115
- Operating Voltage : 10.5 to 14.5 VDC, typical 12 VDC
- Current : 45 mA @ 12V DC
- Sound Level : 102dB at 1m in 12VDC

KEN - 124



- Electronics Siren KEN-124
- Operating Voltage: 10.5 to 13.5 VDC, typical 12VDC
- Current: 750 mA @ 12V DC
- Sound Level : 120dB at 1m in 12VDC

EMERGENCY ALARM BOX



EMA-01



EMA-03

- Operation voltage: 9V/12V DC
- Alarm Distance: 7 meters
- Mount type : Wall mounting/ Surface mounting

FIREMAN SWITCH - EFMS



EFMS



EFS-01

- Voltage: 24V DC @ 3A
 - Installation type : Wall mounting/ Surface mounting
 - Standard product with standard feature.
 - Suitable for all type of elevators control panel
-

MBC



- Supply Voltage: 220VAC
- Output voltage: 12VDC
- Control Output voltage for normal and emergency mode
- Din-Rail Mount Design
- Battery capacity: 600mAH @ 12VDC

MEL - 1



- Operation voltage: 12VDC
- WATT: 2W
- LUX: 1K
- Customize design to fix in COP
- Surface mount design

MEL - 3



- Operation voltage: 12VDC
- WATT: 2W
- LUX: 1K
- Slim type Emergency light
- Surface mount design
- Customize to fix in COP

DECODER

MCBS



- Operation voltage: 24V DC / 12V DC
- Operation method: Relay
- I/O Type : Sinking/Sourcing (both configurable)
- Decoder type: Binary to 7seg, Binary1 to 7seg, Gray to 7seg

MCBD



- Operation voltage: 24V DC / 12V DC
- Operation method: TTL
- I/O type : Sinking/Sourcing (both configurable)
- Decoder type: Binary/Binary 1/Gray to 7Seg and Binary/Binary 1/Gray to Decimal

MCDB



MCDS

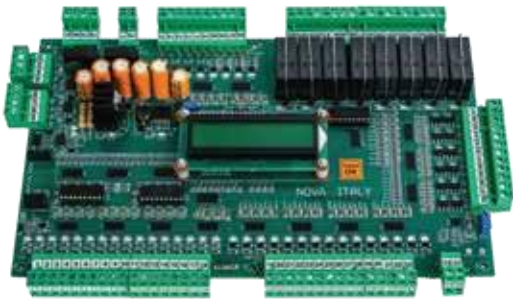


- Operation voltage: 24V DC / 12V DC
 - I/O Type : Sinking/Sourcing (output polarity will be same as input)
 - Decoder type: Decimal to Binary
-

- Operation voltage: 24V DC / 12V DC
- I/O Type : Sinking/Sourcing (output polarity will be same as input)
- Decoder type: Decimal to Seven segment

ELEVATOR CONTROLLER CARD

- Suitable for VVVF, Hydraulic & 2-Speed lift control.
- Full collective (6 stop)/down collective (8 stop) with Auto/manual door.
- Floor indicator : Seven segment, Binary & Gray.
- Communication : Parallel.
- Max up to 16 stop down collective / 11 stop full collective (with Extension).
- Built in LED indicators for all input & output; hence easy for troubleshooting.
- Special Features: Attendance, Fireman, Stop, Overload, ARD, PTC and Arrival Gong etc.
- All parameters are password protected.



NOVA

- Available from 3.7kw to 11kw.
- Suitable for 1 phase and 3 phase door.
- Monitoring of car safety circuit before and during the operation.
- Overload management for extra load.
- Easy Installation and safe operation.
- Protection against short circuit and over current.
- Compatible only for geared applications.



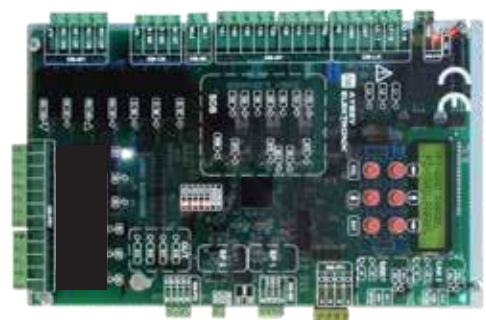
MAS ARD

- Hybrid display and keypad module , that can be remove after programming.
- Compliance with UNI EN 81-1/2 STANDARD.
- Suitable for both traction and hydraulic project.
- Lift up to 24 stops down collective/full collective plants, parallel & serial connection.
- Floor indicator : Seven segment, Binary, Gray & Decimal.
- Duplex and multiplex management.
- Security circuit monitoring and drive contactors control up to 230Vac.
- Suitable for multiple door opening in single elevator.
- Serial and semi serial connection tested up to 120mt without shielded cable.
- Remote monitoring feature.



VEGA

- Suitable for electric and hydraulic lift.
- Suitable for max 64 stops.
- Certified with EN 81/50.
- Support UCM(Unintended car movement).
- Communication support car serial and full serial.
- After an error, system send SMS to defined phone number.
- Automatic re-levelling of hydraulic lift.
- On Board phase failure Protection.



S - TYPE SERIAL

■ NOVA FRENIC-ACE

- Suitable for 2 speed , hydraulic and VVVF Lift.
- Communication mode - Parallel.
- Operating voltage - 24VDC/12VDC.
- Cabinet Size -1090x500x250.
- Door Type - Auto / Manual.
- Top Cover protection for DBR.
- Suitable for both wall mount and floor mount.
- Compatible for all type of drive make.
- Full collective (6 stop)/down collective (8 stop).



■ NOVA FRENIC-LIFT MRL

- Design for gearless application close loop.
- Motor Capacity - 4kw to 11kw with UPS ARD support.
- Communication mode - Parallel.
- Operating voltage - 24VDC/12VDC.
- Cabinet Size -1800*400*265.
- Stand alone design for both manual and auto door function.
- Support upto 15 stops.
- Built in ARD provision with 2.4KVA UPS support.

■ VEGA YASKAWA

- Motor Capacity - 7.5Kw to 18.5Kw and above.
- Communication mode - Parallel/Complete Serial/Car Serial
- Operating voltage - 24VDC
- Cabinet Size -1000*600*250
- Lift up to 24 stops down collective/full collective plants, parallel & serial connection.
- Floor indicator : Seven segment, Binary, Gray & Decimal
- Duplex and multiplex management.
- Security circuit monitoring and drive contactors control up to 230Vac.
- Compatible with close & open Loop application.
- Remote monitoring feature.
- Easy Installation and safe operation.
- On Board inspection switches.
- Multiple door access(max 3 at floor).



ENCODER SELECTION CHART		
ENCODER TYPE	PG CARD TYPE	DESCRIPTION
Complementary Signal Encoder	PG-B3	For speed feedback input by connecting a motor encoder Input: 3 track (can be used with one or two tracks), for HTL encoder connection, 50KHz max Output: 3 track, open collector Encoder power supply: 12V DC, max current 200 mA
Line Driver Encoder	PG-X3	For speed feedback input by connecting a motor encoder Input: 3 track (can be used with one or two tracks), line driver, 300 KHz max Output: 3 track, line driver Encoder power supply: 5V DC or 12 V DC, max current 200 mA
EnDat Encoder	PG-F3	Encoder type: EnDat 2.1/01, EnDat 2.2/01 (HEIDENHAIN) Maximum input frequency: 50 KHz Pulse monitor: Matches RS-422 level Output voltage: 5 V DC±5%, 8 V±10% Maximum output current: 200 mA Wiring length: 20 m max. for the encoder, 30 m max. for the Pulse Monitor.
ERN1387 Encoder	PG-E3	Encoder type: ERN1387 (HEIDENHAIN) Maximum input frequency: 50 KHz Pulse monitor: Matches RS-422 level Output voltage: 5 V DC±5% Maximum output current: 200 mA Wiring length: 20 m max. for the encoder, 30 m max. for the pulse monitor

TRANSIT ELEVATORS - 22

■ ARKEL - ARCUBE

- Motor Capacity - 4 KW (10A) - 11 KW (26A)
- Communication mode - Serial / Semi-Serial and Parallel
- Operating voltage - 24VDC
- Cabinet Size - 422Hx535Lx195W
- Parellel: 9 full collective, 16 down collective, serial: 16 full collective
- Floor indicator : Parellel: Gray, Binary, 7 segment / Serial: Canbus
- Duplex and multiplex management
- Compatible with close & open Loop application.
- Remote monitoring feature.
- Wall mount, Small, lightweight and ready to install
- On Board inspection switches.



■ ARKEL - MRL

- Motor Capacity - 4 KW (10A) - 11 KW (26A)
- Communication mode - Serial / Semi-Serial and Parallel
- Operating voltage - 24VDC
- Cabinet Size - 422Hx535Lx195W
- Parellel: 9 full collective, 16 down collective, serial: 16 full collective
- Floor indicator : Parellel: Gray, Binary, 7 segment / Serial: Canbus
- Duplex and multiplex management
- Compatible with close & open Loop application.
- Remote monitoring feature.
- Wall mount, Small, lightweight and ready to install
- On Board inspection switches.

■ MONARCH - NICE 1000+

- Motor Capacity - 3.7Kw to 11Kw and above.
- Integrated close loop controller.
- Communication mode - Parallel
- Energy Saving relay.
- Operating voltage - 24VDC
- Cabinet Size - 1230x540x250
- Operation - Close loop
- Standard 8 floor full collective, expansion upto 12 floor full collective.
- Selectable door control mode (Auto, Manual)
- It follows N-Curve lift operation.
- Rescue function ready with external single phase 220V UPS.
- Duplex series possible
- Special Functions available like Password Protection, Attendant, Lock Cycle, Fire, Anti-Nuisance, Double Click Call Cancellation & Non Stop.



■ MONARCH - NICE 100+

- Integrated Open Loop Controller
- Motor Capacity - 3.7Kw to 11Kw
- Operation - Open loop + Parallel communication
- Operating voltage - 24V DC
- Cabinet Size - 1230x540x250
- Selectable door control mode (Auto, Manual)
- Standard 6 floor full collective, expansion upto 12 floor full collective.
- Rescue function ready with external single phase 220V UPS.
- It follows the S-Curve operation.
- Special Functions available like Password Protection, Attendant, Lock Cycle, Fire, Anti-Nuisance & Non Stop.

HP MONT - MT71/MINI MRL

- Motor Capacity -3.7KW to 11KW &Above.
- Integrated Closed Loop Parallel Controller.
- Operating Voltage -24V DC.
- Cabinet Size-1090*500*250
- Standard 14 stop Full Collective, 16 stop down Collective.
- Selectable Door Control Mode (Auto/Manual).
- It Allows N-Curve Lift Operation.
- Rescue Function Ready with External Single Phase 220v UPS.
- Overload Capacity -150% For 2 min.
- Suitable for Double Door Operation.
- Special Functions - Password Protection, Attendant Function, Lock Cycle, Anti-Nuisance, and Double Click Call Cancellation.
- Duplex series possible
- Cabinet Size (Mini MRL) - 1450*275*210
- Rescue operation available with inching circuit



HP MONT MT73

- Integrated Open loop Parallel Controller.
- Motor Capacity -3.7kw to11kw.
- Cabinet Size -1230*540*250.
- Selectable Door Control Mode (Auto/Manual).
- Standard 14 stop Full Collective & 16 stop down Collective.
- Rescue Function Ready With External Signal Phase 220v UPS.
- It Follows the S-Curve Operation.
- Over load Capacity - 150% for 2min.
- Double door Operation Possible.
- Special Functions available like Password Protection, Attendant, Lock Cycle, Fire, Anti-Nuisance, Double Click Call Cancellation & Non Stop.
- Duplex series possible

■ VEGA 2-SPEED

- Communication mode - Parallel/ Semi-Serial
- Operating voltage - 24V DC
- Cabinet Size - 700*600*210
- Multiple door access(max 3 at floor)
- Floor indicator : Seven segment, Binary, Gray & Decimal
- Duplex and multiplex management.
- Protection against short circuit and over current
- Remote monitoring feature.
- Security circuit monitoring and drive contactors control up to 230V AC.
- Switch gear make :- Schneider electric.



■ VEGA HYDRAULIC

- Communication mode - Parallel/Car Serial
- Operating voltage - 24V DC
- Cabinet Size - 1000*600*250
- Multiple door access(max 3 at floor)
- In Built Auto re-leveling function.
- Floor indicator : Seven segment, Binary, Gray & Decimal
- Duplex and multiplex management.
- Star-Delta conversion time can be adjusted through parameter.
- Protection against short circuit and over current
- Remote monitoring feature.
- Security circuit monitoring and drive contactors control up to 230V AC.

■ MAS ARD

- Monitoring of car safety circuit before and during the operation.
- Can be integrated with all type of control panel.
- Overload management for extra load.
- Easy Installation and safe operation.
- Motor Capacity - 3.7kw to 11kw Geared motor.
- Cabinet Size -700*600*210
- Suitable for 1 phase and 3 phase door.
- Operating voltage - 24VDC
- Smart battery charger.
- Short circuit and over load protection.
- Onboard indication of 3-phase and 1-phase current consumption.
- SMPS used for stable DC supply



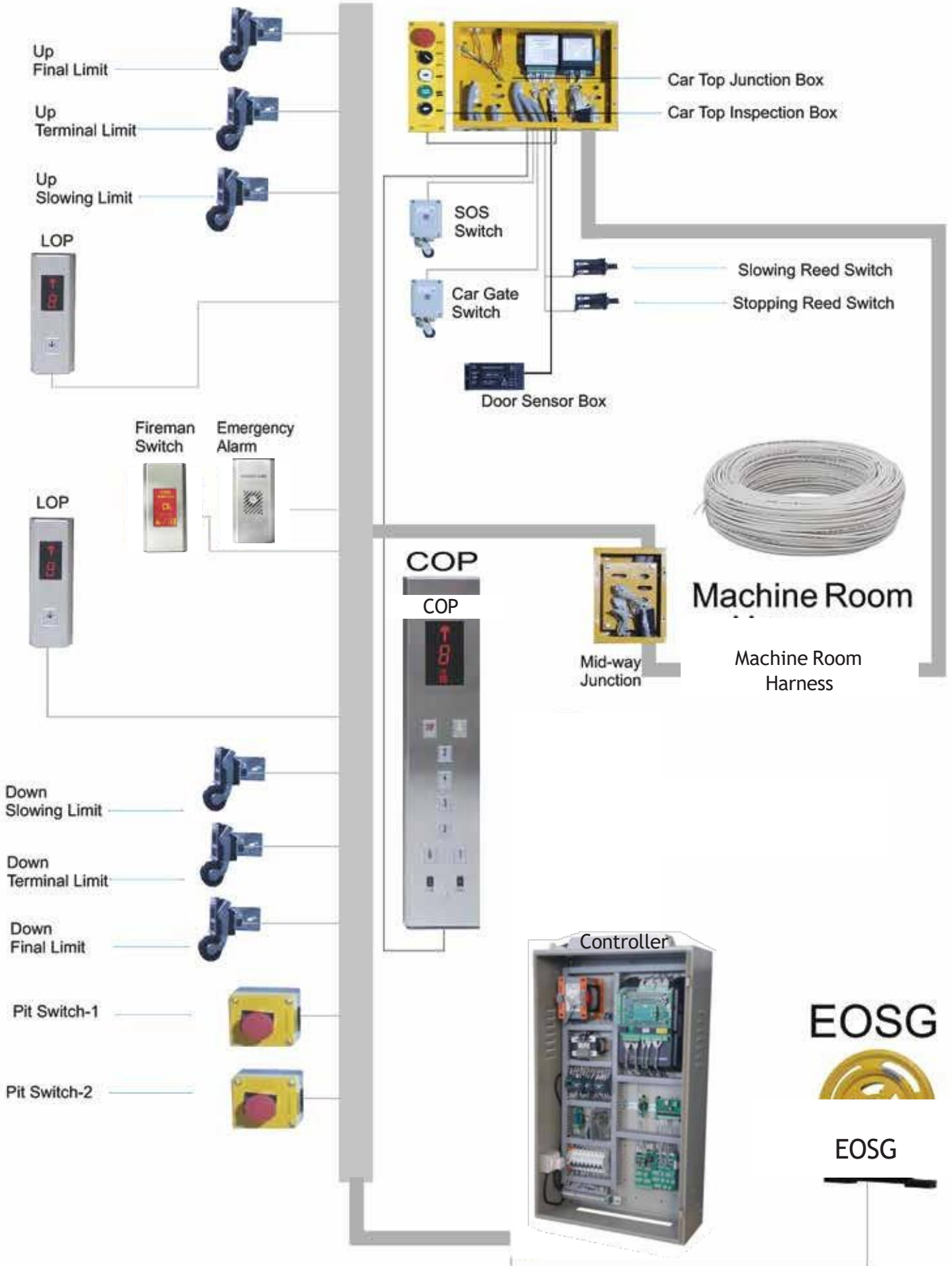
■ UPS SYSTEM

- Advanced FET Charging: Extends battery life with controlled charging that prevents issues.
- Pure Sine Wave Output: Ensures optimal performance for all systems.
- Enhanced Protection: Reduces the risk of failures with innovative control.
- Compatible with All Integrated Panels: Versatile integration for various applications.
- High-Capacity Batteries with Smart Management: Longer life cycles and intelligent monitoring for optimal health.
- Troubleshooting Made Easy: Audio & visual indication makes easy detection and diagnosis for quick issue resolutions.



SHAFT HARNESS

TRAVELLING HARNESS



ELEVATOR DRIVES

FUJI



■ FRENIC LIFT BOOK

- Applicable for close and open loop application
- Book type frame up to 15 kW
- Contactorless solution compliant to EN 81-1 + A3 and EN 81-20
- Different energy saving levels according to ISO 25745
- Rescue operation available by means of UPS or batteries



■ FRENIC ACE

- Motor vector control with PG (with optional card)
- FRENIC-Ace has two different multi-function keypads available.
- Sensorless dynamic torque vector control
- Rescue operation available by the mean of Single Phase UPS
- Power - 3.7kw to 18.5kw and above
- Current - 9 Amp to 36A and above

YASKAWA



■ L1000

- Operation - Close loop/Open Loop
- Power - 3.7Kw to 18.5Kw and above
- Current - 9 A to 39 A
- Single drive for either IM or PM motor control
- Auto-tuning routines optimally match L1000A to IM/PM motors (coupled or uncoupled)
- Powerful keypad and I/O interface to simplify elevator controller integration
- YASKAWA Quality - designed for more than 70,000 hours of maintenance-free operation
- Light load function for UPS operation



■ V1000

- Power - three-phase 0.2 to 15 Kw
- Rated output current (A) 1.2 A to 31 A
- Current vector control
- High starting torque (200% / 0.5 Hz)
- 1:100 speed control range
- Low-noise Low carrier technology
- Safety embedded: EN954-1 safety cat 3, EN6158 SIL II and EN60204-1 Stop category 0
- Simple and efficient brake sequence

HPMONT



■ HD5L

- Multiple programmable I/O terminals available flexible timing sequence
- Support starting torque auto-compensation of all types of PG cards
- Optimized S-curve acceleration and deceleration curves
- Built-in even frequency division from 2, 4, 6...128
- Built-in brake unit
- Supports closed-loop control



■ HD3L

- Advanced sensorless vector control (SVC) control
- Compatible with most of the main board and PLC
- Built-in brake and contactor control replay
- Flexible acceleration and deceleration S curve
- Many programmable I/O terminals



■ MT71

- Integrated close loop parallel communication
- Maximum speed 1.75m/s
- Power - 3.7Kw to 15Kw
- Standard 14 stop full collective & 16 stop down collective
- It follows N-curve lift operation
- Rescue function ready with external single phase 220V AC from UPS



■ MT73

- Integrated open loop parallel communication
- Maximum speed 1m/s
- Power - 3.7Kw to 15Kw
- Standard 14 stop full collective & 16 stop down collective
- It follows S-curve lift operation
- Rescue function ready with external single phase 220V AC from UPS

MONARCH INTEGRATED



■ NICE-1000+

- Maximum Speed 1.5m/s
- Operation - Close loop + Parallel communication
- Power - 3.7Kw to 18.5Kw
- Standard 8 floor full collective, expansion upto 12 floor full collective
- Rescue function ready with external single phase 220 V AC UPS
- 24 input point for switch signal



■ NICE-100+

- Maximum Speed 1m/s
- Power Rang : 3 Phase - 3.7Kw to 11Kw
- Selectable door control mode
- Operation - Open loop + Parallel communication
- Standard 6 floor full collective, expansion upto 12 floor full collective
- Smooth ride performance
- Rescue function ready with external single phase 220V AC UPS

EMI FILTER



- Rated Voltage : 440 V AC/3 PH/50,60Hz
- Rated current : 30A to 60A at room temp 40 C
- Available in 1 stage and 2 stage filter
- In Conformation with EMC Directive 2004/108/EC, Low Voltage Directive 2006/95/EC

DBR



FUJI FRENIC ACE

Inverter Model	Inverter Rated (kw)	Inverter Rated Current(A)	DBR Ohmic Value (Ω)	DBR Power Rating (Kw)
FRN0012E2S-4GALM3X	3.7	9	130	1.0
FRN0022E2S-4GALM3X	5.5	13	80	1.5
FRN0029E2S-4GALM3X	7.5	18	60	2.0
FRN0037E2S-4GALM3X	11	24	40	2.5
FRN0044E2S-4GALM3X	15	30	35	3.5

FRENIC LIFT(FUJI)

Inverter Model	Inverter Rated (Kw)	Inverter Rated Current(A)	DBR Ohmic Value	DBR Power Rating (Kw)
FRN2.2LM1S-7AA(Home lift)	2.2	9	50	1.1
FRN4.0LM1S-4AA	4	9.5	96	1.0
FRN5.5LM1S-4AA	5.5	13.5	64	1.0
FRN7.5LM1S-4AA	7.5	18.5	48	2.0
FRN11LM1S-4AA	11	24.5	24	4.0
FRN15LM1S-4AA	15	32	48(2 nos in parallel)	2.5(2 nos in parallel)
FRN18.5LM1S-4AA	18.5	39	16	5.0
FRN22LM1S-4AA	22	45	32(2 nos in parallel)	3.5(2 nos in parallel)
FRN30LM1S-4AA	30	60	10	8.0
FRN37LM1S-4AA	37	75	10	10
FRN45LM1S-4AA	45	91	8	12

GD300L(INVT)

Inverter Model	Inverter Rated (Kw)	Inverter Rated Current(A)	DBR Ohmic Value (Ω)	DBR Power Rating (Kw)
GD300L-004G-4	4	9.5	130	1
GD300L-5R5G-4	5.5	14	80	1.5
GD300L-7R5G-4	7.5	18.5	65	2
GD300L-011G-4	11	25	40	4
GD300L-015G-4	15	32	32	4.5
GD300L-018G-4	18	38	28	5
GD300L-022G-4	22	45	22	7
GD300L-030G-4	30	60	17	10

EC160 INTREGATED(INVT)

InverterModel	Inverter Rated (Kw)	Inverter Rated Current(A)	DBR Ohmic Value(Ω)	DBR Power Rating(Kw)
EC160-004-4	4	11	75	1.2
EC160-5R5-4	5.5	13	55	1.5
EC160-7R5-4	7.5	18.5	50	2
EC160-011-4	11	27	40	4
EC160-015-4	15	34	32	4.5
EC160-018-4	18	38	28	5
EC160-022-4	22	46	22	7
EC160-030-4	30	62	20	10
EC160-037-4	37	75	14	11
EC160-045-4	45	92	11	13.5
EC160-055-4	55	115	9	16.5

Hpmont MT70/71 INTREGATED

Inverter Model	Inverter Rated (Kw)	Inverter Rated Current(A)	DBR Ohmic Value	DBR Power Rating (Kw)	
				For Syn.	For Asyn.
MT70/71-4T3P7	3.7	9	80	1.6	1.2
MT70/71-4T5P5	5.5	13	70	2	1.6
MT70/71-4T7P5	7.5	18	64	3.2	2
MT70/71-4T011	11	27	40	4	3.2

MONARCH 100 + (INTREGATED),1000+(INTREGATED)

Inverter Model	Inverter Rated (Kw)	Inverter Rated Current(A)	DBR Ohmic Value	DBR Power Rating (Kw)
NICE-L-I-4003	3.7	9	130	1.1
NICE-L-I-4005	5.5	13	90	1.6
NICE-L-I-4007	7.5	17	65	2.5
NICE-L-I-4011	11	27	43	3.5
NICE-L-I-4015	15	32	35	4.5

INSPECTION AND JUNCTION BOX

EIB-01



- Pendant type inspection box
- Easy handling and installation
- Elegant look and fine finishing
- Long life and Durable

EIB-02



- Standard cartop inspection box
- Lamp guard on the top for protection
- Controlled 230VAC port for the maintenance tool connection on cartop
- Stable product with high performance and long lasting

EIJB-01



- Elevator inspection and junction box
- Certified component with proper functionality test
- Selector switch with 1 NO and 1 NC element
- Directions and functionality mark on each switch

EIJB-02



- Combination of cartop inspection and junction box with pre-wired system
- This product is accomplished with Siren, battery back-up and Arrival gong as a default feature
- Rocker Switch provided to control lamp in maintenance and normal mode

EJB-02



- Elevator junction box for mid-way and cartop
- Easy handling and installation
- Standard product, always ready for dispatch
- Certified component with proper functionality test

ESS



- Elevator emergency stop switch
- Emergency mushroom type design with certified NC element
- Compact design and easy for installation
- Standard product, always ready for dispatch

EIJB-01A



- Elevator inspection and junction box
- Certified component with proper functionality test
- Selector switch with 1 NO and 1 NC element
- Directions and functionality mark on each switch
- Bakelite screw Terminal block with transparent cover

EJB-02A



- Elevator junction box for mid-way and cartop
- Easy handling and installation
- Standard product, always ready for dispatch
- Certified component with proper functionality test
- Bakelite screw Terminal block with transparent

DOOR SENSOR

EDS



- Light Immunity >100000 LUX
- IP54 Rated
- Low Power Consumption
- Number of Infra Red Diodes :- 17 Diode Set
- Comes with 4 mtr Cable and Power Supply Box
- Suitable for both Side Opening and Center Opening Doors
- Product is available in 94 & 154 crossed beam
- Detecting range is 4000mm

EDS-SB



- Range 6 meter
- Supply Voltage 8 to 30 VDC
- Optical Range :- Infra Red 940 nM

OVERLOAD SENSOR

LM3D



- Automatic calibration using the wire rope diameter, no need for test weights
- Universal rope clamps for all types of rope distribution
- Suitable for 1:1, 2:1 & 4:1 roped installations
- Quick and easy installation (5 mins)
- Standard LMC sensor with 4000 KG capacity (P+Q)
- Reinforced LMC sensor with 7500 KG capacity (P+Q)

CNT800



- Mechanical capacity (cabin+ load): 3200 kg
- High precision and easy to adjust
- Supply voltage : 220 VAC
- 0-10 V /4-20 mA Analog output
- Automatic adjust to Zero
- HOLD input: To stop the measuring during the travel
- Programing with keys fo different weight points

ILC2



- Automatic calibration using the wire rope diameter, no need for test weights
- Universal rope clamps for all types of rope distribution
- Quick and easy installation (5 mins)
- Suitable for 1:1 rope installations.
- Standard LMC sensor with 4000 KG capacity (P+Q)
- Reinforced LMC sensor with 7500 KG capacity (P+Q)
- 2 programmable alarms: Full load & Overload
- Power supply voltage 24-48 Vdc

RS5



- Mechanical capacity : 3000 / 5000 kg
- 0-10 V /4-20 mA Analog output
- Supply voltage : 220 VAC
- Easy to install High sensivity
- Suitable for different rope size
- Digital display

LIMIT SWITCHES

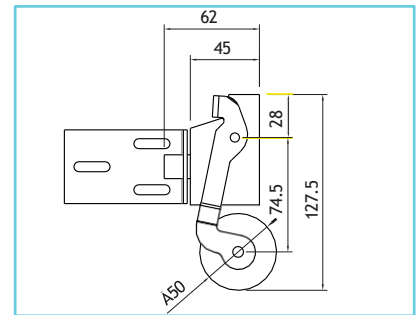
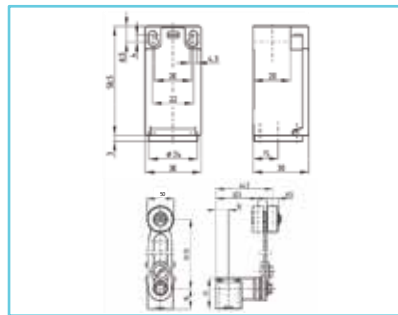
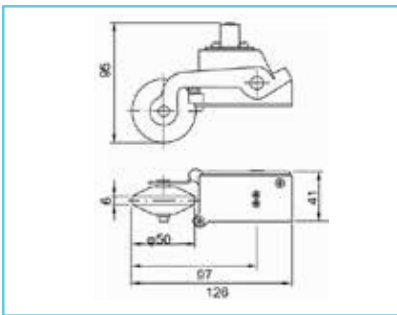
ELSG



ELS1_SL_SC



ELSDC



LIMIT SWITCH BRACKET

LMSB1



BIG



LMSB2



SMALL



LMSB3



ELSB1



MONOSTABLE REED SWITCH

ERD-NO-10-FLAT



- Contact form - NO
- Electrical Specification (max) - 3A@ 110V
- Contact resistance (max) - 1Ω
- Sensing Distance - 8-15mm

ERD-NC-10-FLAT



- Contact form - NC
- Electrical Specification (max) - 3A@ 110V
- Contact resistance (max) - 1Ω
- Sensing Distance - 8-15mm

ERD-NO



- Contact form - NO
- Electrical Specification (max) - 3A @130V
- Contact resistance (max) - 3Ω
- Sensing Distance - 10-20mm

ERD-NC



- Contact form - NC
- Electrical Specification (max) - 3A @130V
- Contact resistance (max) - 3Ω
- Sensing Distance - 10-20mm

MAS ERD-NO



- Contact form - Monostable NO
- Maximum Rated Current max - 1A
- Output Voltage - max 130 VAC/180VDC
- Sensing Distance - 8-18mm

MAS ERD-NC



- Contact form - Monostable NC
- Maximum Rated Current max - 1A
- Output Voltage - max 130 VAC/180VDC
- Sensing Distance - 8-18mm

BISTABLE REED SWITCH

EBSW



- Contact form - Bistable
- Electrical Specification (max) - 3A @ 230V
- Contact resistance (max) - 2Ω
- Sensing Distance - 5-15mm

PHOTO ELECTRIC SENSOR

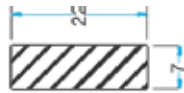
BL101



- Optical sensor for door zone in high speed lift.
- Operating voltage :- 10 to 36 VDC
- Switch Element Function :- PNP Type.
- Available in complete set (Sensor, Fin, and Mounting Brackets)

MAGNETS

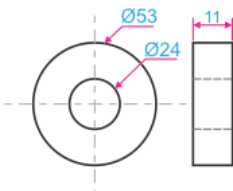
EM1



EM3



EM5



MICRO SWITCHES

EOLS (OVERLOAD SWITCH)



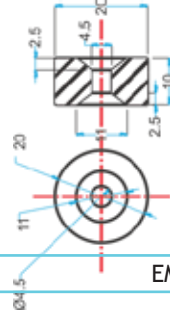
- Elevator Overload Switch
- High Breaking capacity :- 15A
- Electrical Life :- 5 Lac operation min
- Mechanical Life :- 20 million cycles

EMS2

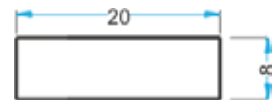


- Micro switch used for control signalling
- Contact rated current :- 15Amps at 250V AC.
- 5Lac operation electrically & 20 million mechanically.
- RoHS Compliant and UL approved.

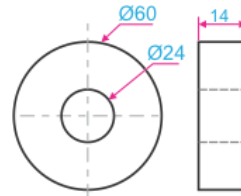
EM2



EM4 MAGNET STRIP



EM6



EMS1



- Contact rated current :- 15Amps At 250V AC.
- 20 operation per minute electrically.
- 240 operation per minute mechanically.
- RoHS complaint and UL approved.

ELECTRIC KEY SWITCH - EKS 1

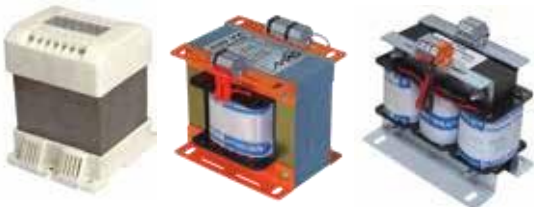


- Electrical key switch for logic input to control board.
- Robust and fine design
- Smooth operation and long life
- Contact current rating :- 3Amps

TRANSFORMERS

SUPPLY

TRF



- The core of transformer is welded as per German DIN standard.
- Varnish is C.E[VDE] approved.
- Coil is vacuum impregnated & baked.
- VA-400/500/600
- Finger proof terminals
- Primary and secondary winding can be customized as per Customer requirement.

CONNECTORS

TERMINAL BLOCKS



- Elmex, Phoenix, Wego, Weidmuller, Connect Well.
- Rated Current(A) : 28-65A
- Sizes from 0.2 sq mm to 10 sq mm
- Rated Voltage (V) ; 800
- Wire Termination Technology : Brass Clamp

POWER

SMPS



- Output voltage : 24 V DC
- Rated input voltage : 100 to 120 VAC/200 to 240 VAC
- Mount type : Dinrail style
- Rated output current 4.5 A
- Make - Omron/Shavison/Meanwell

ECT-4

ECT-5

CABINET & ACCESSORIES



CABINET & ACCESSORIES	
CODE	DESCRIPTION
CTRL-CAB-001	CONTROLLER CABINET_700L-500W-210H_POWDER COATED
CTRL-CAB-002	CONTROLLER CABINET_700L-600W-210H_POWDER COATED
CTRL-CAB-004	CONTROLLER CABINET_1000L-600W-250H_POWDER COATED
CTRL-CAB-007	CONTROLLER CABINET_1800L-400W-265H_POWDER COATED

PVC TRUNKING



- Best suits for controller internal wiring.
- Available in variety of size as mention in the chart.
- Rigid PVC Trunking

PVC TRUNKING-SLOTTED & NON-SLOTTED	
CODE	DESCRIPTION
ETS45-25-2.9	TRUNKING_PVC_SLOTTED_45H X 25W_2.9M_GREY
ETS45-25	TRUNKING_PVC_SLOTTED_45H X 25W_2M_GREY
ETS45-45-2	TRUNKING_PVC_SLOTTED_45H X 45W_2M_GREY
ETS60-25-2	TRUNKING_PVC_SLOTTED_60H X 25W_2M_GREY
ETS60-25-2.9	TRUNKING_PVC_SLOTTED_60H X 25W_2.9M_GREY
ETU25-45-2.9	TRUNKING_PVC_UNSLOTTED_25H X 45W_2.9M_GREY
ETU45-45-2	TRUNKING_PVC_UNSLOTTED_45H X 45W_2M_GREY
ETU45-45-2.9	TRUNKING_PVC_UNSLOTTED_45H X 45W_2.9M_GREY
ET 30 X 25	TRUNKING_PVC_30H X 25W / M
ET 60 X 60	TRUNKING_PVC_60H X 60W / M

DINRAIL

DR35-7.5-02



- Height 7.5 mm X Thickness 1.0 mm X Length 2mtr
- MS white zinc plated
- Slot at regular distance to mount on controller plate.

RECTIFIER

KPBC3510



- Product Dimensions 28 x 28 x 10mm (L x W x H)
- Rating (A) : 35A
- Mounting support : Surface Mount.

NEUTRAL LINK

EHL



- Material Brass IS 319
- Size :L-70mm x W-7mm x H-10mm
- Panel Mount Provision.

CABLE GLANDS

EG-PVC-13.5-GR



- Body material - Polyimide
- Gland thread - M20
- IP68 approved



copyrights@2024

TRANSIT ELEVATORS PVT. LTD.

H.No. 6-3-133/13, Barkath Complex, Behind Bharat Petroleum, Ground Floor, Balanagar, Narsapur 'X' Roads, Hyderabad - 500042

Service No.: 7661806683 | Email : transitelevators.pvtltd@gmail.com

Our Branches: Hyderabad | Karimnagar | Sangareddy | Bodhan | Bidar